

# Customer Information Sheet

DRAWING No.: S8411-45R

SHEET 3 OF 4

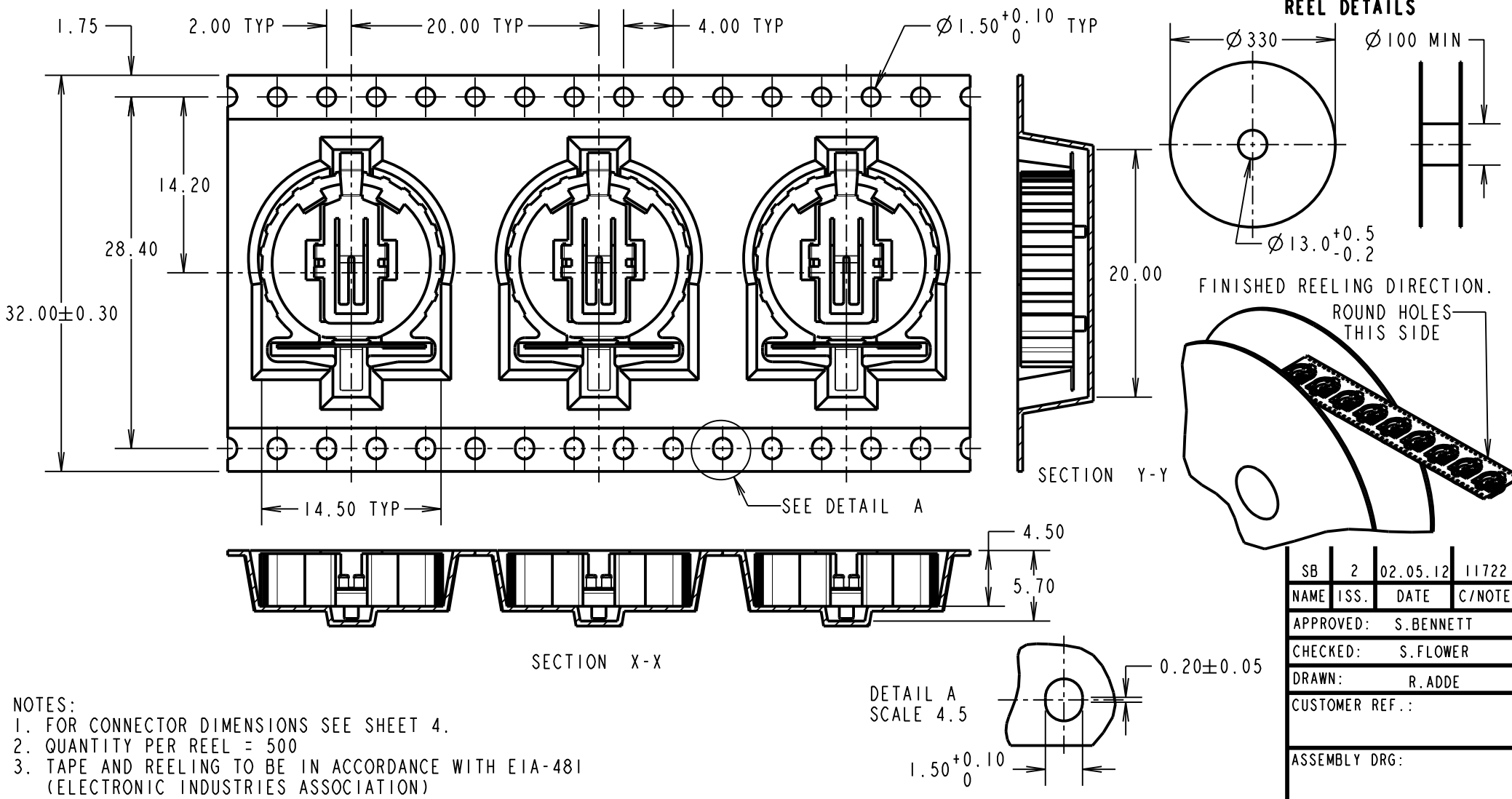
IF IN DOUBT - ASK

(C)

NOT TO SCALE

THIRD ANGLE PROJECTION

ALL DIMENSIONS IN mm



- NOTES:
1. FOR CONNECTOR DIMENSIONS SEE SHEET 4.
  2. QUANTITY PER REEL = 500
  3. TAPE AND REELING TO BE IN ACCORDANCE WITH EIA-481 (ELECTRONIC INDUSTRIES ASSOCIATION)

SB	2	02.05.12	11722
NAME	ISS.	DATE	C/NOTE
APPROVED:		S.BENNETT	
CHECKED:		S.FLOWER	
DRAWN:		R.ADDE	
CUSTOMER REF.:			
ASSEMBLY DRG:			

## HARWIN

www.harwin.com  
technical@harwin.com

THIS DRAWING AND ANY INFORMATION OR DESCRIPTIVE MATTER SET OUT HEREON ARE CONFIDENTIAL AND COPYRIGHT PROPERTY OF THE HARWIN GROUP AND MUST NOT BE DISCLOSED, LOANED, COPIED OR USED FOR MANUFACTURING, TENDERING OR FOR ANY OTHER PURPOSE WITHOUT THEIR WRITTEN PERMISSION.

TOLERANCES  
X. = ±1mm  
X.X = ±0.25mm  
X.XX = ±0.10mm  
X.XXX = ±0.01mm  
ANGLES = ±5°  
UNLESS STATED

MATERIAL: SEE ABOVE  
FINISH: SEE ABOVE  
S/AREA: mm<sup>2</sup>

TITLE: SMT COIN CELL HOLDER FOR CR1220, TAPE & REELED

DRAWING NUMBER: S8411-45R

SHT 3 OF 4

# Customer Information Sheet

DRAWING No.: S8411-45R

SHEET 4 OF 4

IF IN DOUBT - ASK



NOT TO SCALE

THIRD ANGLE PROJECTION

ALL DIMENSIONS IN mm

**SPECIFICATIONS:**

**MATERIAL:**

MOULDING: PPS, UL94V-0, BROWN

CONTACT: PHOSPHOR BRONZE

**FINISH:**

CONTACTS = GOLD FLASH OVER NICKEL

**ELECTRICAL:**

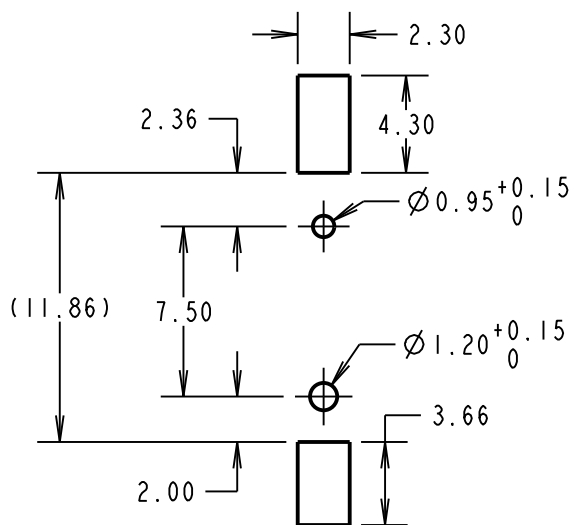
CONTACT RESISTANCE = 12mΩ

INSULATION RESISTANCE = 500MΩ

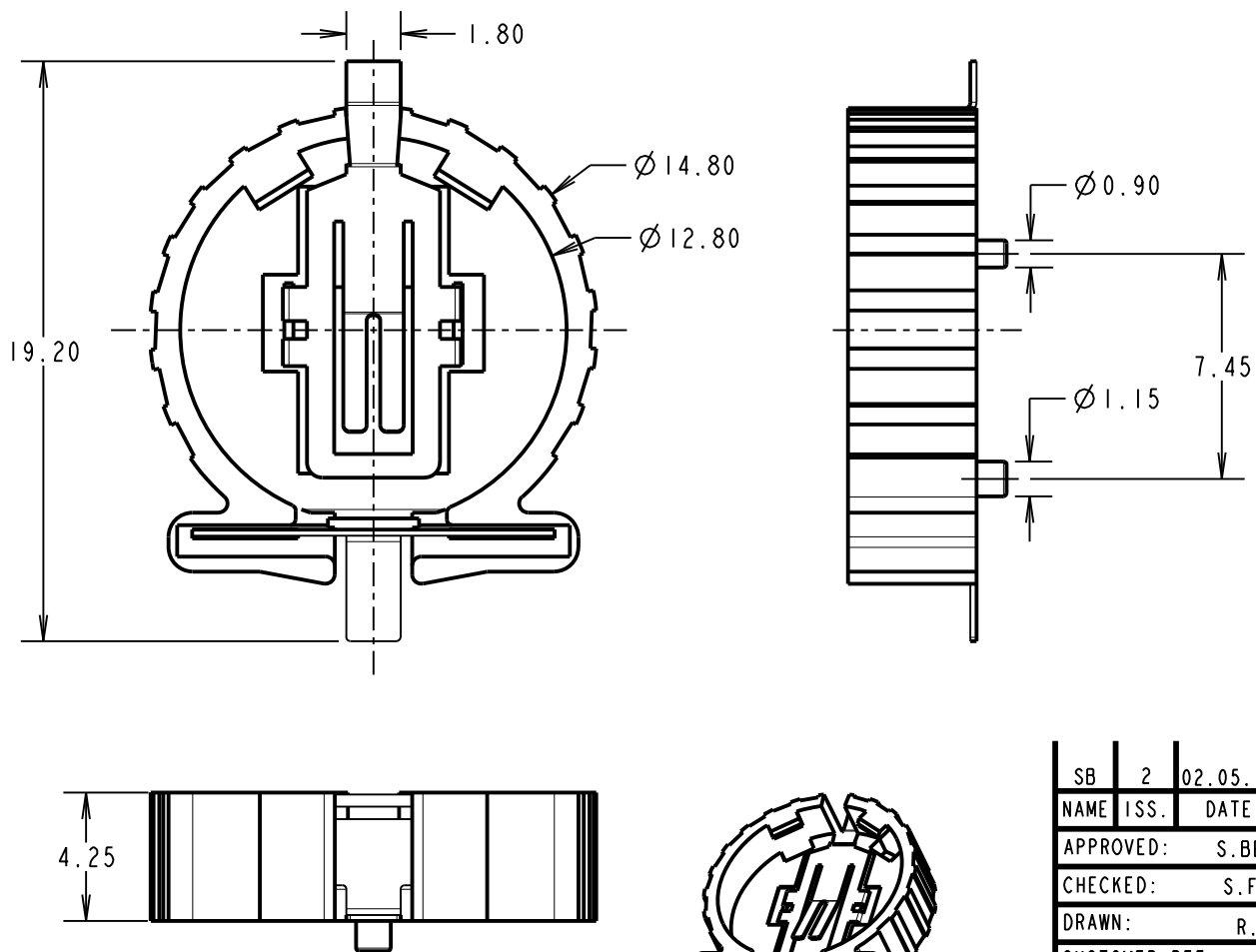
DIELECTRIC VOLTAGE = 500V AC FOR 1 MINUTE

**ENVIRONMENTAL:**

OPERATING TEMPERATURE = -40°C TO + 105°C



RECOMMENDED PCB LAYOUT



**NOTES:**

- SUITABLE FOR THE FOLLOWING COIN CELL CR1220
- ALL TOLERANCES ARE ±0.20 UNLESS OTHERWISE STATED.

SB	2	02.05.12	11722
NAME	ISS.	DATE	C/NOTE
APPROVED:		S.BENNETT	
CHECKED:		S.FLOWER	
DRAWN:		R.ADDE	
CUSTOMER REF.:			
ASSEMBLY DRG:			

**HARWIN**

www.harwin.com  
technical@harwin.com

THIS DRAWING AND ANY INFORMATION OR DESCRIPTIVE MATTER SET OUT HEREON ARE CONFIDENTIAL AND COPYRIGHT PROPERTY OF THE HARWIN GROUP AND MUST NOT BE DISCLOSED, LOANED, COPIED OR USED FOR MANUFACTURING, TENDERING OR FOR ANY OTHER PURPOSE WITHOUT THEIR WRITTEN PERMISSION.

**TOLERANCES**

X	= ±1mm
X.X	= ±0.25mm
X.XX	= ±0.10mm
X.XXX	= ±0.01mm
ANGLES = ±5°	
UNLESS STATED	

**MATERIAL:**

SEE ABOVE

**FINISH:** SEE ABOVE

**S/AREA:** mm<sup>2</sup>

**TITLE:** SMT COIN CELL HOLDER FOR CR1220, TAPE & REELED

**DRAWING NUMBER:** S8411-45R

SHT 4 OF 4